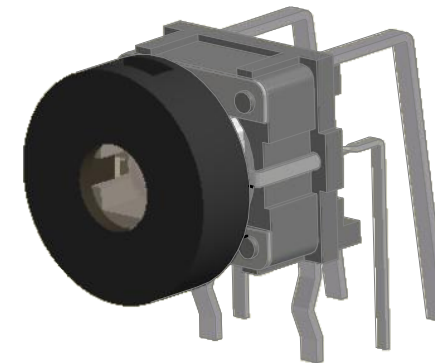
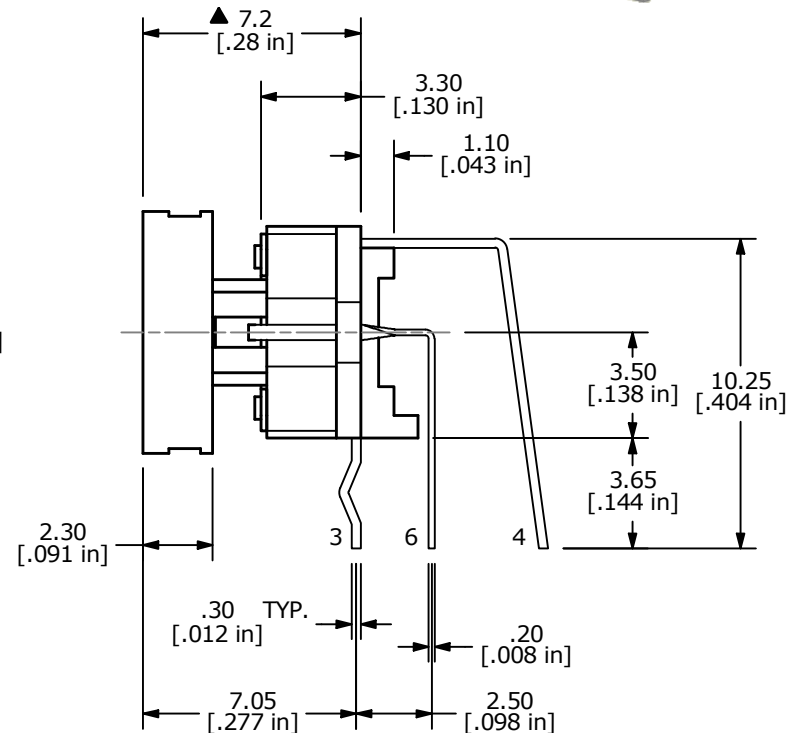
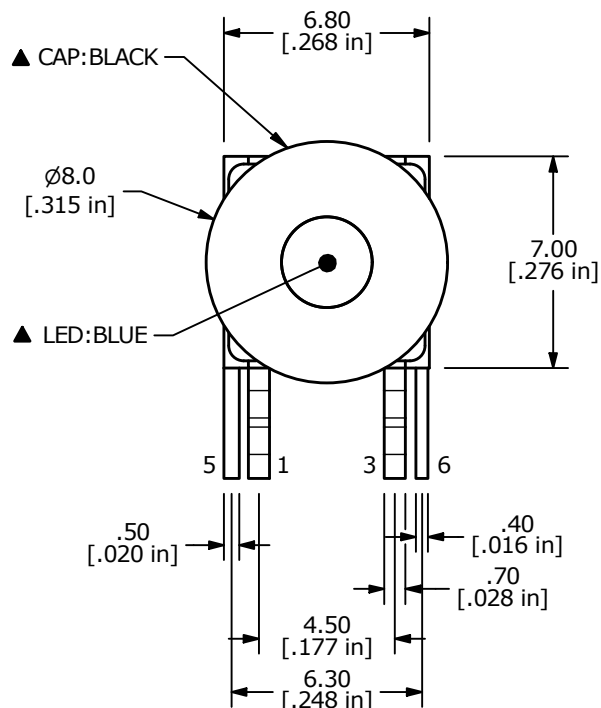


LED SPECS	UNITS	BLUE
FORWARD CURRENT	mA	20 TYP.
FORWARD VOLTAGE	V	2.9 TYP. - 4.0 MAX.
LUMINOUS INTENSITY	MCD	150 TYP.



- NOTES:
1. ALL DIMENSIONS IN MM [INCH]
 2. GENERAL TOLERANCE: X.X = ±0.4
X.XX = ±0.25
 3. RATING: 12VDC @ 50mA
 4. CONTACT RESISTANCE: 100mΩ MAX.
 5. INSULATION RESISTANCE: 100MΩ MIN.
 - ▲ 6. OPERATING FORCE: 160 ± 50gf
 7. TRAVEL: 0.2 ± 0.1mm
 8. OPERATING TEMPERATURE: -20°C to 70°C
 9. OPERATING LIFE: 500,000 CYCLES
 - ▲ 10. LED: BLUE
 11. ▲ DENOTES CRITICAL PARAMETERS
 12. PACKAGING: 100 PIECES PER TRAY



J	24463	update dim. 7.00 to 7.2	8/27/20	MW
H	24039	Actuator Button to Ø8.0 from Ø8.00	9/16/19	MW
G	21659	ADDED NOTE 13	10/23/14	AS
F	19956	CORRECT NOTES / LED CHART/ DIM	05/20/11	BMA
E	19542	UPDATE DRAWING	12/21/10	BGL
REV	PCR NO	DESCRIPTION	DATE	BY



TITLE TL1260BQRBLK

SCALE	DATE	DR	DWG	REV
4:1	5/11/2007	TN	B200000	J